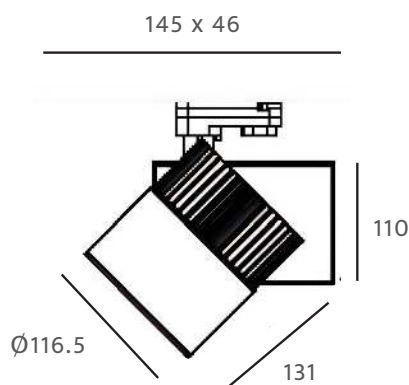


PROYECTOR LED DE CARRIL TRIFÁSICO

THREE PHASE TRACK LED SPOTLIGHT



RETAIL | FC01

Información técnica

Technical information

Potencia Power	42W / 48W
Flujo lumínico Lumen package	4.200lm / 4.700lm
Tecnología Technology	COB
R_E (R1-R15)	96
Material Material	Aluminium
Acabados Finishes	White / Black

Code	Power	CCT	Driver	Colour
FC01	42w <input type="checkbox"/>	<input type="checkbox"/> 3.000K <input type="checkbox"/>	On / Off <input type="checkbox"/>	White <input type="checkbox"/>
	48w <input type="checkbox"/>	<input type="checkbox"/> 4.000K <input type="checkbox"/>	Dali <input type="checkbox"/>	Black <input type="checkbox"/>
		<input type="checkbox"/> 5.000K <input type="checkbox"/>	Casambi <input type="checkbox"/>	
			Push <input type="checkbox"/>	

Code **FC01**



*Crea tu código. / Create your code.

Ensamblado en España / Assembled in Spain

50.000H

5 Years
Warranty

IP
20

230 V
AC

PF
0,98



UGR
19

45°



PUSH

FOOD | HORTICULTURE | FC01

Información técnica Technical information

Potencia Power	42W
Flujo lumínico Lumen package	3.800lm
Tecnología Technology	COB
Material Material	Aluminium
Acabados Finishes	White / Black

Code	Power	CCT	Driver	Colour
FC01	42w 1	 Fresh meat 4 Red meat 5 2700k Gold 6 Horticulture 7	On / Off 1 Dali 2 Casambi 3 Push 4	White 1 Black 2

Code **FC01**

1

*Crea tu código. / Create your code.

Ensamblado en España / Assembled in Spain